

Drop-in Drain™

Freestanding Bath Installation Kit

ITEM # THS - AC30 - 00

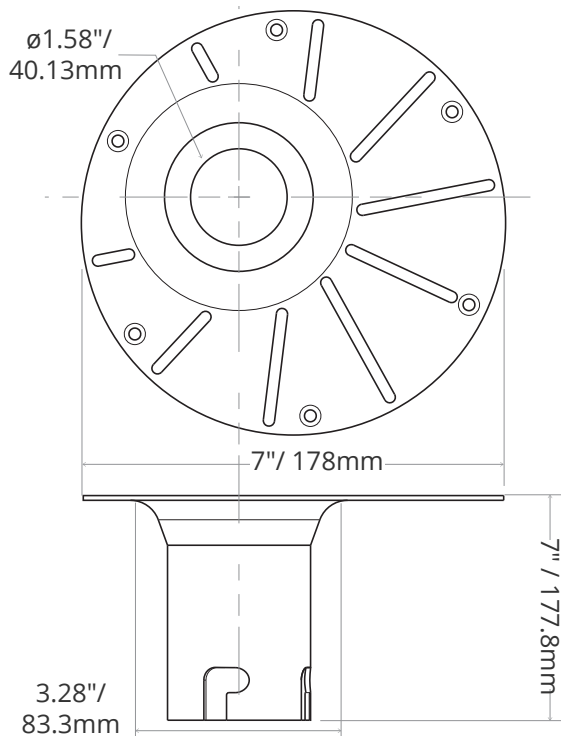
The Drop-in Drain™ installation kit simplifies the drain connection for a freestanding bathtub. The adjustable floor flange is installed and connected to household plumbing during the rough-in stage. This allows the bath to be installed by simply dropping it in-place with no further connections required.

Product Features

- Compatible with all T.H. Smith Co baths
- No access panel required
- Offset design allows for installation closer to walls and joists
- Floor flange can be adjusted after installation if needed
- Allows for easy removal and servicing of a bathtub after installation

Product Features

- Asymmetrical Rough-in Floor Flange
- 1-1/2" Flange to ABS Adapter
- 8" Flanged and Beveled Brass Tail Piece
- Brass Nut with Flat Washer
- Plastic Insert / Test Plug
- Flange & Tail Piece Lubricant



T.H. Smith products are largely manufactured by hand. This results in slight variations in overall product dimensions from technical specifications. In general, variances are no more than 1/4" (6mm), but they can be larger. We recommend that you have your bathtub on-site prior to performing any rough-ins or plumbing.

In keeping with our policy of continuing product improvement, T.H. Smith Co. reserves the right to change product specifications without notice. Please ensure you have the latest edition of this specification by visiting thsmith.com or by using the QR code on this document.

