

Ensley

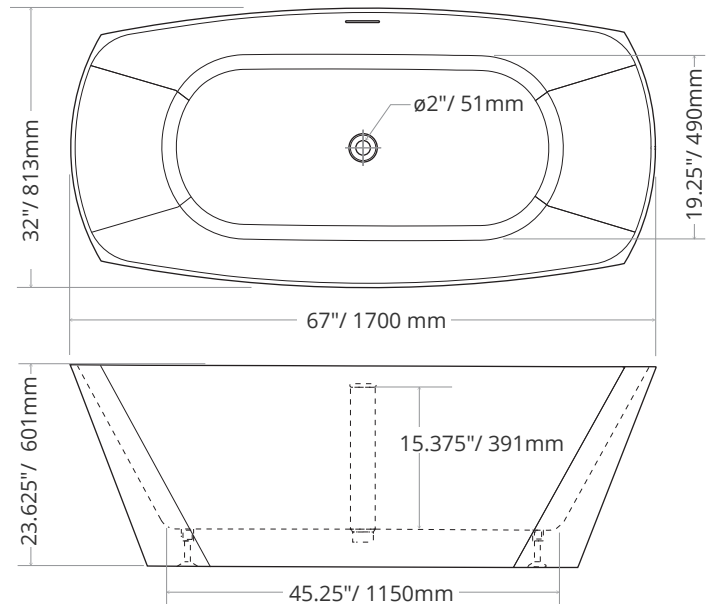
ITEM # THS-B32-67

Length 67"/ 1700mm
Width 32"/ 813mm
Height 23.625"/ 600mm
Tolerance +/- 0.25"/ 6mm

Water Depth 15.375"/ 391mm
Water Cap. ~82 gal (US)/ 310L
Weight 115lb/ 52kg

Materials Acrylic, Fiberglass, Wood, Steel
Colour Brilliant White
Finish High Gloss

Overflow Integral, Finished Slot
Installation Freestanding
Drain Assembly Sold Separately



COMPATIBLE WITH

DRAIN ASSEMBLY (Required)

THS-AC01-PC Chrome
THS-AC01-BL Black
THS-AC01-BG Brushed Gold
THS-AC01-BN Brushed Nickel
THS-AC01-PN Polished Nickel
THS-AC01-WH White

T.H. Smith products are largely manufactured by hand. This results in slight variations in overall product dimensions from technical specifications. In general, variances are no more than 1/4" (6mm), but they can be larger. We recommend that you have your bathtub on-site prior to performing any rough-ins or plumbing.

In keeping with our policy of continuing product improvement, T.H. Smith Co. reserves the right to change product specifications without notice. Please ensure you have the latest edition of this specification by visiting thsmith.ca or by using the QR code on this document.

thsmith.ca | sales@thsmith.ca | (778) 600-1822



Augmented Reality



Current Spec Sheet
2.8.2024.A01