

Pheobe

ITEM # THS-B30-67

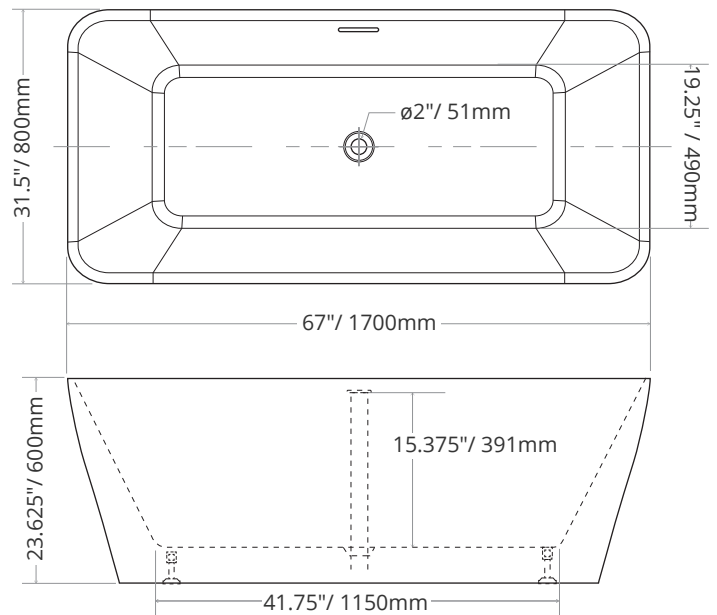


Length 67" / 1700mm
 Width 31.5" / 800mm
 Height 23.625" / 600mm
 Tolerance +/- 0.25" / 6mm

Water Depth 15.375" / 391mm
 Water Cap. ~73 gal (US) / 274L
 Weight 110lb / 50kg

Materials Acrylic, Fiberglass, Wood, Steel
 Colour Brilliant White
 Finish High Gloss

Overflow Integral, Finished Slot
 Installation Freestanding
 Drain Assembly Sold Separately



COMPATIBLE WITH

Drain Assembly

THS-AC-01-PC Chrome
 # THS-AC-01-BL Matte Black
 # THS-AC-01-BN Brushed Nickel
 #THS-AC-01-WH White

T.H. Smith products are largely manufactured by hand. This results in slight variations in overall product dimensions from technical specifications. In general, variances are no more than 1/4" (6mm), but they can be larger. We recommend that you have your bathtub on-site prior to performing any rough-ins or plumbing.

In keeping with our policy of continuing product improvement, T.H. Smith Co. reserves the right to change product specifications without notice. Please ensure you have the latest edition of this specification by visiting thsmith.com or by using the QR code on this document.

